

Duck Nesting Box

Congratulations! You have just purchased one of our exclusive luxury homes for the modern duck. Here is some information to help you get the best from your Duck Nesting box:

DUCKS & PEOPLE

Ducks have lived in and around our waterways for centuries. Despite the high population density of our cities and towns, ducks have managed to survive and even flourish in some areas. There are a number of ducks species in Australia that rely on hollows for nesting; Wood Ducks; Black Ducks; Grey Teal; Chestnut Teals; & Pink-eared Duck. All ducks have different preferences when it comes to the height of the nesting box or hollow. If you are trying to target a specific species then you may need to find out what is the optimum height for that species.

For more information regarding Australian Birds and their habits contact:

Bird Observers Club of Australia (BOCA)

183-185 Springvale Road, Nunawading 3131

Tel: 0398775342 or 1300 305 342

Web: www.birdobservers.org.au

Email: information@birdobservers.org.au

THE DUCK NESTING BOX

The Duck Nesting box is specifically designed following many years of practical trials.

- These boxes are durable, easy to install and do not affect the growth of trees they are placed in.
- A Duck Nesting box does not need to be cleaned out. Ducks defecate over the edge of the nest opening. So place your box where there is no human traffic underneath!
- A Duck Nesting box is designed, by size, not to attract bees or non-native birds, even if it is vacant. Ducks will evict any unwanted animals from their nest, so they'll do the policing for you.
- Ducks will investigate any new objects in their territory, so that they will soon find the Nesting box - you won't be able to hide it from them!

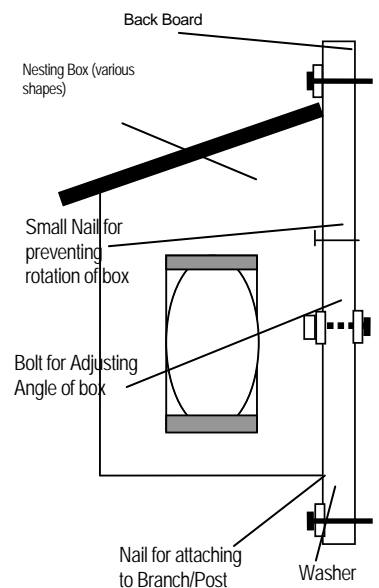
MANAGING YOUR GARDEN FOR DUCKS

Ducks are not particularly selective feeders – their diet consists of young green grass or herbage, aquatic seed and herbaceous aquatic plants. Unless you have a large body of water that has aquatic plants growing in it, actually getting ducks to feed in your backyard is quite difficult. Ducks often like to feed on lush, mowed lawn areas.

WHERE DO I PUT MY NESTING BOX?

Choose an easily accessible spot away from bright lights. This may be in a tree (preferably evergreen) that is close to other trees/shrubs. Ducks will sit on the nest box perch while it is being using for breeding. Ideally the box should be placed in a semi-open area.

- The box should be at least three metres from the ground.
- The entrance hole should be facing east. This is because most cold weather comes from the south & west and hot weather from the north.
- Once you have decided on where you would like to install the box, set the angle of the backboard and tighten the bolt. To ensure that it is secure hammer the small nail (supplied) through back of the box into the backboard
- Each nesting box is provided with two 4" galvanised nails and two-mudguard washers. Thread the nail through the washer and then through the backboard of the nestbox. Nail it firmly to the tree. As the tree grows the box is firmly held into place by the two large mudguard washers. We use nails instead of strapping because over time strapping strangles the tree, causing the tree to drop its limbs or die.



ONE FINAL WORD

Ducks will only use the box during their breeding season, which is spring. So if for any reason you wish to move your nesting box, do so outside of spring. When the ducks leave their box you can move it to a more appropriate location.

THE LA TROBE WILDLIFE SANCTUARY

In 1967 La Trobe University set aside an area of land for research and education toward the re-establishment of Australian flora and fauna. The La Trobe Wildlife Sanctuary is now more than 30 hectares of open woodland and wetlands and supports a diversity of indigenous flora and fauna. We are now one of the leading education facilities for primary and secondary schools offering a range of education programs. We also operate an indigenous plant nursery! The La Trobe Wildlife Sanctuary also conducts day time and nocturnal tours that you can experience and get some tips on your back yard habitat projects.

Sanctuary Opening Hours:

Monday - Friday: 10am - 3pm
 Sunday: 10am - 3pm
 Nocturnal Tours: By request (see web site)

Nursery Opening Hours:

Tues, Thurs, Fri, Sun: 10am - 3pm

ENQUIRIES:

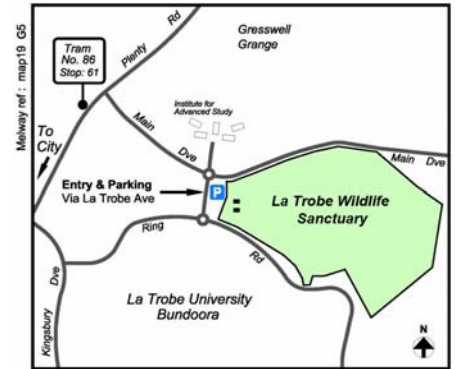
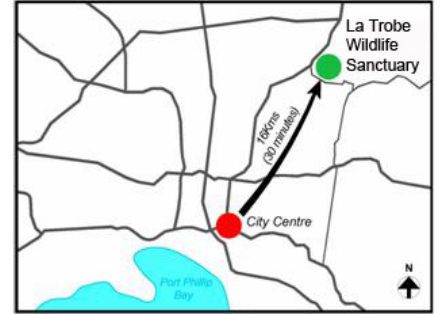
General Enquiries: (03) 9479 1206

Email: wildlife@latrobe.edu.au

Web: www.latrobe.edu.au/wildlife

LOCATION:

The La Trobe Wildlife Sanctuary, including the Indigenous plant nursery are located 16km North of Melbourne CBD. Melways Ref 19 G5... entry via La Trobe Avenue.



Nesting Box Re-Order Form

If you would like to order more Nesting Boxes, please complete this form and fax / post it to us, or send us an email at nestbox@latrobe.edu.au. For full listings and prices on our nesting boxes, please visit our web site or contact the La Trobe Wildlife Sanctuary.

Name:

Credit Card details:

Postal Address:

PostCode:

Card Type -

Phone Contacts:

Email:

Number:

CCV:

Expiry Date:

Name on Card:

Product details:

Type of Box:	Quant	Type of Box:	Quant
Brushtail Possum Box		Vertical Parrot Box	
Ringtail Possum Box		Horizontal Parrot Box	
Sugar Glider Box		Duck Box	
Microbat Box		Kookaburra Box	
Feathertail Glider Box		Pardalote Box	
		Postage @ \$8.00 per box in Australia	
		Total	