

Brushtail Possum Nesting Box

Congratulations! You have just purchased one of our exclusive homes for the modern Marsupial. Here is some information to help you get the best from your Brushtail nesting box.

POSSUMS & PEOPLE

Brushtail Possums like living near people; our gardens give them lots of food and great places to shelter. Possums are found in many areas throughout Australia. They are territorial and if you remove one Possum another will quickly replace it. Therefore they are not going to go away and given that they are also a protected species, (as are all native animals), we should try to live with and better understand this remarkable animal. And the best way to do this is with a nesting box.

THE BRUSHTAIL NESTING BOX

These boxes are durable, aesthetically pleasing, easy to install and do not affect the growth of trees they are placed in.

- The nesting box does not need to be cleaned out. Brushtail Possums keep their nest clean and tidy; no urine, no faeces, no smell and no need to add or change nesting material. A Brushtail "Super-Box" is cool in summer and warm in winter due to the insulating qualities of the wood.
- The nesting box is designed, by size, not to attract bees or non-native birds, even if it is vacant.
- Brushtail Possums will investigate any new objects in their territory, so they will soon find the nesting box. You won't be able to hide it from them!

FOR YOU AND THEM

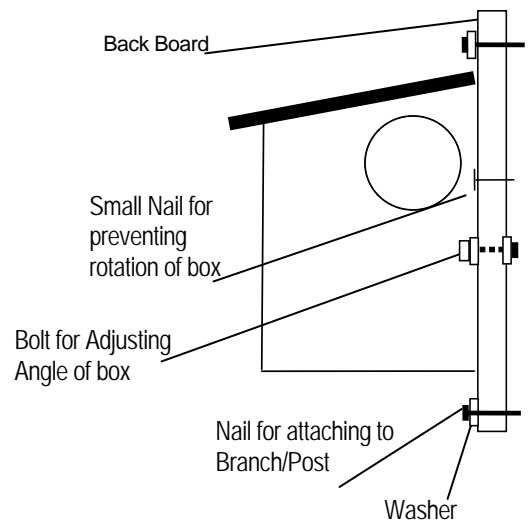
Adult Brushtail Possums are solitary animals and do not nest in packs. Brushtail Possums do not build nests in trees or bushes, but in hollows in trees, so their numbers are controlled by both food AND hollow availability – there is only one possum per hollow. These hollows can take over 120 years to develop in some Eucalypts and so Possums will use houses and outbuildings when hollows are not available. Providing a nesting box in your garden can encourage them out of your roof.

MANAGING YOUR GARDEN FOR POSSUMS

Giving Possums a wider choice of food plants, especially local native species, will help keep them away from your favourite plants. Individual possums vary in their food preferences and you will soon learn which plants they prefer, aiding you in the design of your garden. An added benefit of using local native plants is they will encourage native birds and butterflies. A stable food supply will also help maintain your Possum population. To stop possums getting onto your roof, remove access branches. Avoid planting roses and fruit trees where they will become easily accessible possum food (eg near a fence). Installation of a "floppy fence" that most animals, including cats, do not like to climb on may be the answer. These can also be added to existing fences.

WHERE DO I PUT MY NESTING BOX?

- Choose an easily accessible spot away from bright lights. This may be in a tree, (preferably evergreen) which is close to other trees/shrubs.
- The box should be at least three metres from the ground and if possible amongst dense foliage.
- The entrance hole should be facing east. This is because most cold weather comes from the south & west; hot weather comes from the north.
- Once you have decided on where you would like to install the box, set the angle of the backboard and tighten the bolt. To ensure that it is secure hammer the small nail (supplied) through the backboard
- Each nesting box is provided with two 4" galvanised nails and two-mudguard washers. Thread the nail through the washer and then through the backboard of the nestbox. Nail it firmly to the tree. As the tree grows the box is firmly held into place by the two large mudguard washers. We use nails instead of strapping because over time strapping strangles the tree, causing the tree to drop its limbs or die.



ONE FINAL WORD

If for any reason the nesting box needs to be moved a resident Brushtail can easily be evicted by closing the entrance to the nesting box after sunset when the Brushtail is out and about. The nesting box can then be moved to a more appropriate location.

THE LA TROBE WILDLIFE SANCTUARY

In 1967 La Trobe University set aside an area of land for research and education toward the re-establishment of Australian flora and fauna. The La Trobe Wildlife Sanctuary is now more than 30 hectares of open woodland and wetlands and supports a diversity of indigenous flora and fauna. We are now one of the leading education facilities for primary and secondary schools offering a range of education programs. We also operate an indigenous plant nursery! The La Trobe Wildlife Sanctuary also conducts day time and nocturnal tours that you can experience and get some tips on your back yard habitat projects.

Sanctuary Opening Hours:

Monday - Friday: 10am - 3pm
 Sunday: 10am - 3pm
 Nocturnal Tours: By request (see web site)

Nursery Opening Hours:

Tues, Thurs, Fri, Sun: 10am - 3pm

ENQUIRIES:

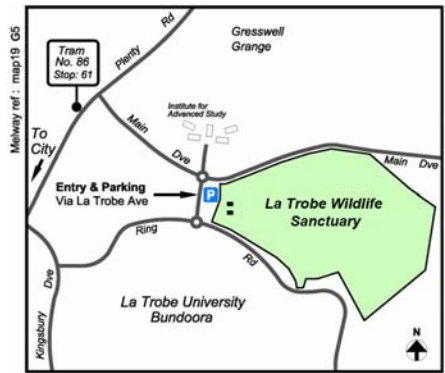
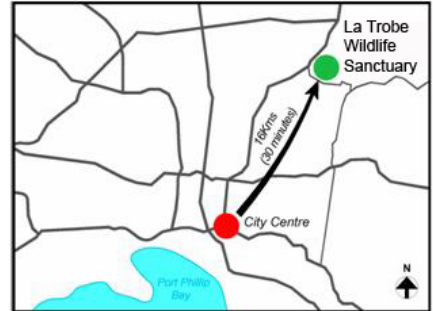
General Enquiries: (03) 9479 1206

Email: wildlife@latrobe.edu.au

Web: www.latrobe.edu.au/wildlife

LOCATION:

The La Trobe Wildlife Sanctuary, including the Indigenous plant nursery are located 16km North of Melbourne CBD. Melways Ref 19 G5... entry via La Trobe Avenue.



Nesting Box Re-Order Form

If you would like to order more Nesting Boxes, please complete this form and fax / post it to us, or send us an email at nestbox@latrobe.edu.au. For full listings and prices on our nesting boxes, please visit our web site or contact the La Trobe Wildlife Sanctuary.

Name:

Credit Card details:

Postal Address:

PostCode:

Card Type -

Phone Contacts:

Email:

Number:
CCV:
Expiry Date:
Name on Card:

Product details:

Type of Box:	Quant	Type of Box:	Quant
Brushtail Possum Box		Vertical Parrot Box	
Ringtail Possum Box		Horizontal Parrot Box	
Sugar Glider Box		Duck Box	
Microbat Box		Kookaburra Box	
Feathertail Glider Box		Pardalote Box	
		Postage @ \$8.00 per box in Australia	
		Total	