

Kookaburra Nesting Box

Congratulations! You have just purchased one of our exclusive luxury homes for the modern bird. Here is some information to help you get the best from your Kookaburra nesting box.

KOOKABURRAS' & PEOPLE

These large, loud and cheeky birds add life to any area. Kookaburras are great to have around. They provide great entertainment when they 'laugh' and interact with one another. Two species occur in Australia, the Laughing Kookaburra of the eastern and southern coast, and the Blue-winged Kookaburra of northern woodlands. The laughing kookaburra is famous for its call and they live in outer suburbs and wildlife corridors.

THE KOOKABURRA NESTING BOX

The Kookaburra nest box is specifically designed following many years of practical trials.

- These boxes are durable, aesthetically pleasing, easy to install and do not affect the growth of trees they are placed in,
- A Kookaburra nest box does not need to be cleaned out. Young Kookaburras defecate over the edge of the nest opening. So place your box where there is no human traffic underneath!
- A Kookaburra nesting box is designed, by size, not to attract bees or non-native birds, even if it is vacant. Kookaburras will evict any unwanted animals out of their nest, so they'll do the policing for you.
- Kookaburra will investigate any new objects in their territory, so they will soon find the nesting box - you won't be able to hide it from them!

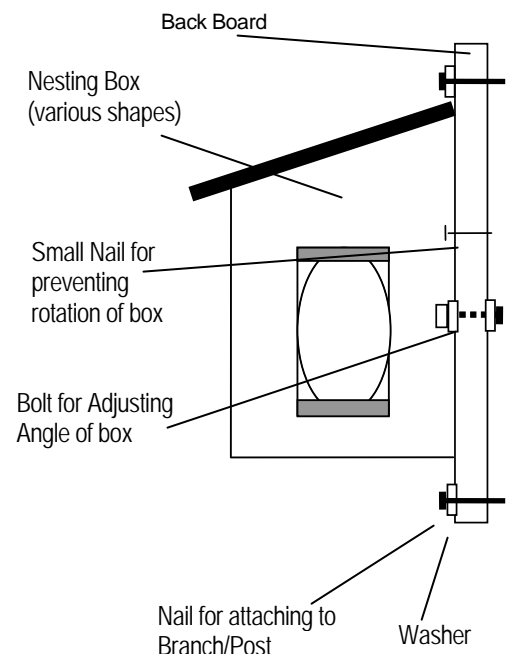
MANAGING YOUR GARDEN FOR KOOKABURRAS'

The Wildlife Sanctuary Plant Nursery at La Trobe University can supply a wide range of plants native to Melbourne. Native trees and wildflowers enhance a suburban garden, and help create a unique local landscape that has a low maintenance and watering requirement. La Trobe Wildlife Sanctuary Plant nursery can also give advice on enhancing your garden to attract a range of native animals.

WHERE DO I PUT MY NESTING BOX?

Choose an easily accessible spot away from bright lights. This may be in a tree, which is preferably evergreen and is close to other trees/shrubs. Kookaburras will sit on the perch while using the box for breeding. Placing the box in a semi-open area will be preferred.

- The box should be at least three metres from the ground.
- The entrance hole should be facing towards the east. This is because cold weather comes from the south & west, hot weather comes from the north while the east is fairly mild.
- Do not approach occupied boxes and avoid any major disturbances.
- Once you have decided on where you would like to install the box, set the angle of the backboard and tighten the bolt. To ensure that it is secure hammer the small nail (supplied) through back of the box into the backboard.
- Each nesting box is provided with two 4" galvanised nails and two mudguard washers. Thread the nail through the washer and then through the backboard of the nestbox. Nail it firmly to the tree. As the tree grows the box is firmly held into place by the two large mudguard washers. We use nails instead of strapping because over time strapping strangles the tree, causing the tree to drop its limbs or die.



ONE FINAL WORD

Kookaburras will only use the box during breeding, from September to January. Out of those times you can move the nest box to a more appropriate location.

THE LA TROBE WILDLIFE SANCTUARY

In 1967 La Trobe University set aside an area of land for research and education toward the re-establishment of Australian flora and fauna. The La Trobe Wildlife Sanctuary is now more than 30 hectares of open woodland and wetlands and supports a diversity of indigenous flora and fauna. We are now one of the leading education facilities for primary and secondary schools offering a range of education programs. We also operate an indigenous plant nursery! The La Trobe Wildlife Sanctuary also conducts day time and nocturnal tours that you can experience and get some tips on your back yard habitat projects.

Sanctuary Opening Hours:

Monday - Friday: 10am - 3pm
 Sunday: 10am - 3pm
 Nocturnal Tours: By request (see web site)

Nursery Opening Hours:

Tues, Thurs, Fri, Sun: 10am - 3pm

ENQUIRIES:

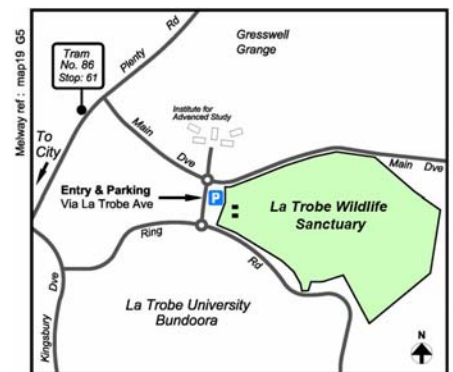
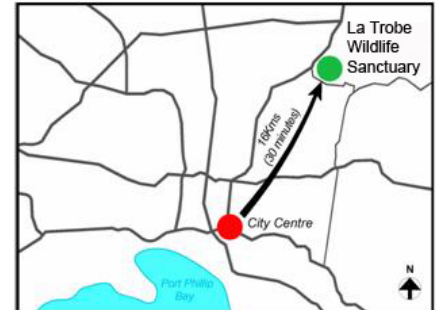
General Enquiries: (03) 9479 1206

Email: wildlife@latrobe.edu.au

Web: www.latrobe.edu.au/wildlife

LOCATION:

The La Trobe Wildlife Sanctuary, including the Indigenous plant nursery are located 16km North of Melbourne CBD. Melways Ref 19 G5... entry via La Trobe Avenue.



Nesting Box Re-Order Form

If you would like to order more Nesting Boxes, please complete this form and fax / post it to us, or send us an email at nestbox@latrobe.edu.au. For full listings and prices on our nesting boxes, please visit our web site or contact the La Trobe Wildlife Sanctuary.

Name:

Postal Address:

PostCode:

Phone Contacts:

Email:

Credit Card details:

Card Type –

Number:
CCV:
Expiry Date:
Name on Card:

Product details:			
Type of Box:	Quant	Type of Box:	Quant
Brushtail Possum Box		Vertical Parrot Box	
Ringtail Possum Box		Horizontal Parrot Box	
Sugar Glider Box		Duck Box	
Microbat Box		Kookaburra Box	
Feathertail Glider Box		Pardalote Box	
		Postage @ \$8.00 per box in Australia	
		Total	